



SCHLETTER
The Solar Mounting Group

UNIVERSAL ADAPTER

PRODUCT SHEET

UNIVERSAL ADAPTER

- Diverse areas of application
- Quick and simple assembly
- High load capacity
- Universal adaptation options
- Improved suitability for storage
- Designed according to a tried and tested modular design

The Universal Adapter is the latest development of our Fix-E/Fix-T system. The range has been further expanded and simplified, allowing for one product for several applications, significantly reducing stock holdings. Instead of project-specific individual production, you can now rely on a universal item which is suitable for storage.

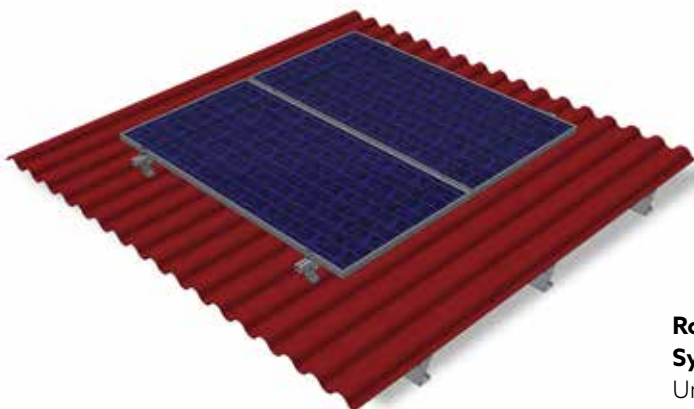
On both edges of the Universal Adapter, the connections for attaching the rail profiles have been improved to allow the use of the popular square head screw and flange nut fixing, or the use of a Rapid Cross Connector.

With this fastening system, the fixing has been further simplified to state that Universal Adapter Uno M8 should be used for steel purlin applications and the Universal Adapter Uno M10/M12 should be used for fixing into wooden substructures.

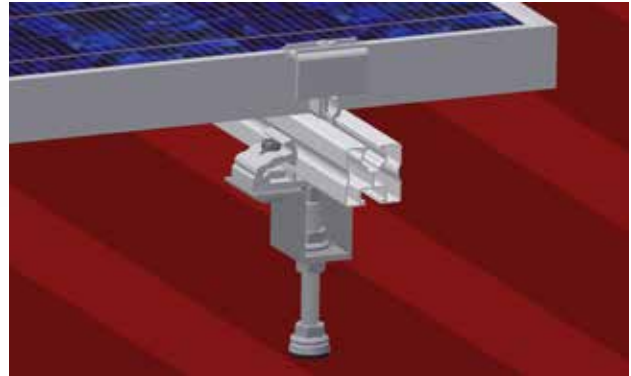
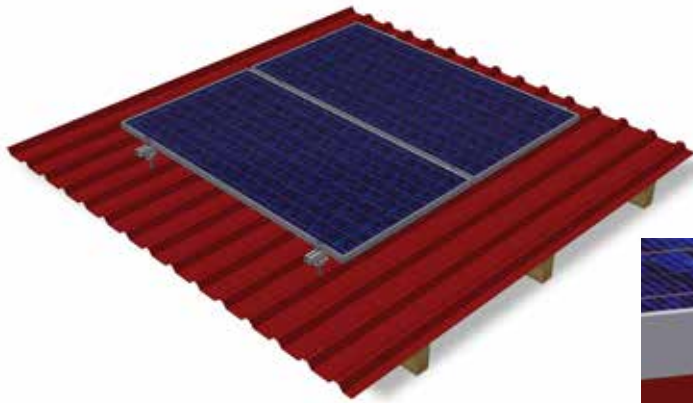
The improved universal adapter Duo, was developed for standard fibre cement corrugated sheets and has proven to be the ideal choice where there are increased wind and snow loads. The variable hole pattern avoids long production times, as the correct fixing can be taken directly from warehouse stock. For double fastening onto trapezoidal sheet metal, simply use two Universal Adapter Uno with the shorter section of the module bearing profile EcoLight 450mm (120011-00450)

The Universal Adapter can also be used for parallel to the wall façade systems. In this case, the Universal Adapter is used as a dowel clamp for Schletter Eco5 profiles only. The top edges are used for mounting to the wall, while the bottom drilled hole is used to connect the mounting profile Eco5, using a click in component M8 (129010-008), a square nut M8 (943914-008) and a socket head cap screw M8x20 (9943308-120), as in the illustration below.

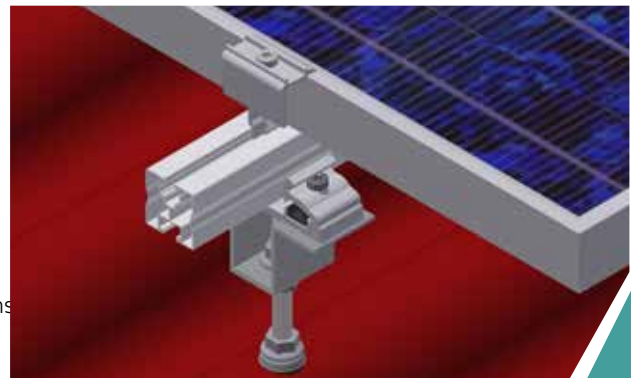
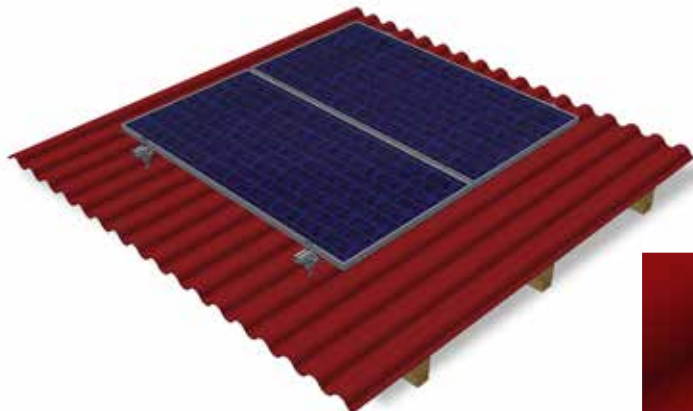
ILLUSTRATIONS OF DIVERSE USAGE OPTIONS:



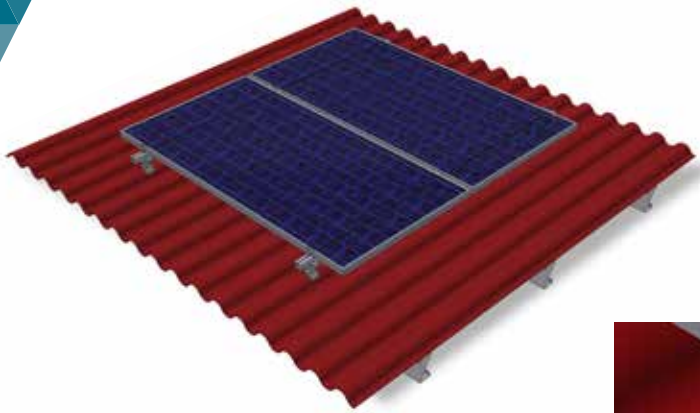
Roof: Trapezoidal sheet metal with steel purlins.
System: Universal adapter Uno M8 with Universal storm washer and self-grooving threaded screws.



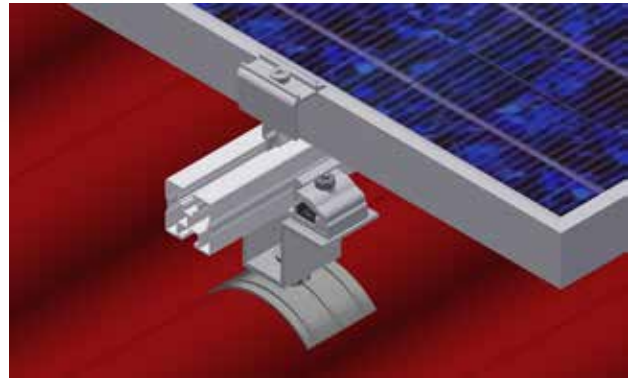
Roof: Trapezoidal sheet with wooden purlins.
System: Universal adapter Uno M10 / M12 with hanger bolts.



Roof: Fibre cement corrugated sheets with wooden purlins
System: Universal adapter Uno M10 / M12 with hanger bolt.



Roof: Fibre cement corrugated sheets with steel purlins.
System: Universal adapter Uno M8 with sealing cap, distance tubes and self tapping screws



Façade mounting with universal adapter M8 including accessories and Eco05 rails.



General assembly instructions for the universal adapter, combined with hanger bolts on wooden substructures:

▼ 1. Pre-drill the fastening points:

At the upper belt of the trapezoidal sheet or at the tallest point of the corrugated sheet:

For hanger bolt M10: 15mm

For hanger bolt M12: 16mm

Wooden purlins or trusses:

For hanger bolt M10: 7.0mm

For hanger bolt M12: 8.5mm

▼ 2. Screw on the hanger bolts:

Minimum screw depth according to abZ/ETA of the hanger bolt:

For hanger bolt M10: 40mm

For hanger bolt M12: 48mm

▼ 3. Tighten sealing rubber with flange nut. The sealing rubber must be pressed lightly.

▼ 4. Position the universal adapter and fasten using the flange nuts. Here, pay attention to the running direction of the subsequent mounting profile.

▼ 5. Fasten the mounting profile. Either using a Rapid cross connector (129063-000) or using M10x25 square head screws (943410-025) and flange nuts M10 (943912-010).

Note: To prevent any water penetration via the thread of the hanger bolt, we recommend using thread sealant.

General information:

Required tool:

For hanger bolt M10:

Socket spanner SW7

Open-end spanner SW15

Drill 7mm, 15mm

For hanger bolt M12:

Socket spanner SW9

Open-end spanner SW18

Drill 8.5mm, 16mm

Tightening torques:

Screw connections M10: 30 Nm

Screw connections M12: 50 Nm

General assembly instructions for the universal adapter, combined with threaded screws M8 on steel substructures:

For fibre cement corrugated sheets:

1. Pre-drill the fastening points:

High point of corrugated sheet: 21mm

Steel purlins:

T to 4mm: Drill 6.8 mm

T to 6mm: Drill 7.0mm

T from 6mm: Drill 7.2mm

T=purlin thickness

2. Insert distance tubes

3. Place sealing cap

4. Position the universal adapter and fasten using self-grooving screws. Here, pay attention to the running direction of the subsequent mounting profile.

5. Fasten the mounting profile. Either using a Rapid cross connector (129063-000) or using M10x25 square head screws (943410-025) and flange nuts M10 (943912-010).

FOR TRAPEZOIDAL SHEET METAL:

1. Pre-drill the fastening points

Upper belt: 9mm

Steel purlins:

T to 4mm: Drill 6.8mm

T to 6mm: Drill 7.0mm

T from 6mm: Drill 7.2mm

T=purlin thickness

2. Universal storm washer and bend the upper belt edge flaps towards the trapezoidal sheet side edges, depending on the width of the upper belt.

3. Position the universal adapter and fasten using self-grooving screw. Here, pay attention to the running direction of the subsequent mounting profile.

4. Fasten the mounting profile. Either using a Rapid cross connector (129063-000) or using M10x25 square head screws (943410-025) and flange nuts M10 (943912-010).

COMPONENT OVERVIEW:



Hanger bolt

110010-200	Hanger bolt set 10 x 200 mounted	Units:50
110012-200	Hanger bolt set 12 x 200 mounted	Units:50
110012-300	Hanger bolt set 12 x 300 mounted	Units:50

Hanger bolt set, fully assembled with vulcanised EPDM sealing (UV-resistant) and 3 flange nuts in V4A, mounted



119033-004	Universal adapter Duo M10/M12 For hanger bolts M10/M12, loose, aluminium	Units:50
-------------------	---	----------



119033-004	Universal adapter Duo M10/M12 For hanger bolts M10/M12, loose, aluminium	Units:50
-------------------	---	----------

INFO: Hanger bolt + adapter = ready-to-use fastening system

Threaded washer, self-grooving, VA



943718-064	8 x 64	Units:100
943718-100	8 x 100	Units:100
943718-125	8 x 125	Units:100
943718-150	8 x 150	Units:100
943718-200	8 x 200	Units:50

HANGER BOLT



119033-002	Universal adapter Uno M8	Units:50
119005-000	Corrugated sheet sealing cap 5/6/8	Units:50
119004-002	Aluminium distance tube 65 x 20*	Units:50
119004-004	Aluminium distance tube 1000 x 20*	Units:30

* for profile height 57 mm

** for other profile heights, these must be cut to measure at the factory

The Rapid cross connector (product 129063-000) must be ordered separately



119033-005	Universal adapter Duo M8	Units:50
119005-000	Corrugated sheet sealing cap 5/6/8	Units:50
119004-002	Aluminium distance tube 65 x 20*	Units:50
119004-003	Aluminium distance tube 1000 x 20*	Units:30

Depending on the mounting site, 2x threaded screws must be calculated.

*for profile height 57mm

**for other profile heights, these must be cut to measure at the factory



119033-002	Universal adapter Duo M8	Units:50
119005-001	Universal storm washer with EPDM	Units:50

The Rapid cross connector (product 129063-000) must be ordered separately



x2



x2

119033-002

Universal adapter Uno M8

Units:50

119005-001

Universal storm washer with EPDM

Units:50

Depending on the mounting site, 2x threaded screws must be calculated

In addition, the top profile and the necessary mounting screws must be taken into



Info: Threaded grooving screw + adapter + additional components (tube or universal storm washer) = ready-to-use fastening system

TECHNICAL DATA

Material

Screws: Rust-resistant steel A2, universal adapter: Aluminium,
Distance tubes: Aluminium, sealing cap: Concentrated EPDM rubber

Planning aid

Configuration and structural analysis via Schletter Configurator

Structural analysis

Structural analysis according to the current country-specific standards (in Germany EN 1991, EC1). Structural analysis systems to size the number of fastening points required.

In all circumstances, observe the information on the structural analysis!

Further information is available at: www.schletter-group.com

SCHLETTER SOLAR GMBH

Alustrasse 1
83527 Kirchdorf
GERMANY

www.schletter-group.com

