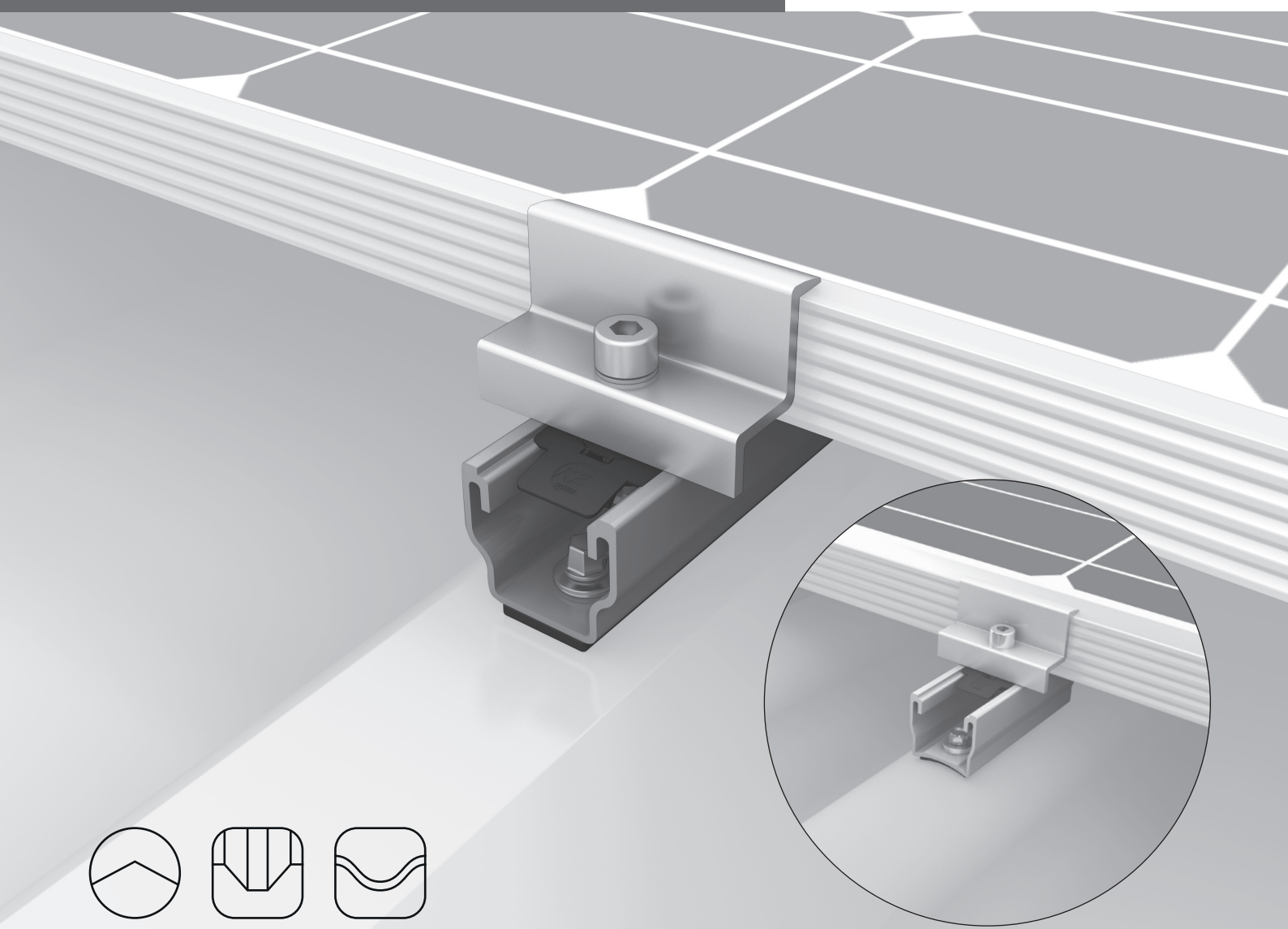


We support PV systems



MultiRail System

ASSEMBLY INSTRUCTIONS



Content

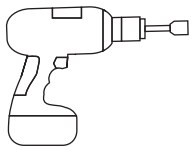
▶ Tools overview	3
▶ General safety information	4
▶ The following guidelines apply	5
· Planning with K2 Base	5
· Roof requirements	5
· Structural requirements	5
· Important mounting instructions	5
▶ Components	6
· Trimdek metal sheet	6
· Corrugated sheet metal	8
▶ Assembly	10
· Trimdek metal sheet	10
· Corrugated sheet metal	14
▶ Optional assembly steps	19
· Module frame grounding	19
· Roof-parallel elevation with RailUp	19
· Lightning protection with Ground Lug	20
▶ Notes	21

Quality tested – several certifications

K2 Systems stands for secure connections, highest quality and precision. Our customers and business partners have known that for a long time. Independent institutes have tested, confirmed and certified our capabilities and components.

Please find our quality and product certificates under:
k2-systems.com/en/technical-information

Tools overview



6 mm



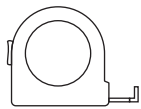
8 mm



6 - 35 Nm
[4,5 - 22,2 lb-ft]



6 mm



≥ 3,0 m



≥ 6,0 m

Digitale Toolbox



Do you already know our digital services? Use our K2 DocuApp now and record the first important data directly at the customer or project site. Simply import the data into our online planning software K2 Base. Here you can plan your project easily, safely and quickly. You receive a detailed project report with assembly plan and static report. The K2+ interface enables seamless project data transfer to the planning tools of other manufacturers. With the K2 DocuApp, project documentation is done quickly and easily - without annoying paperwork.

Get started now and register:

base.k2-systems.com →

docuapp.k2-systems.com →

General safety information

Please note that our general mounting instructions must be followed at all times and can be viewed online at k2-systems.com/en/technical-information

- ▶ The equipment may only be installed and operated by qualified and adequately trained installers.
- ▶ Prior to installation, ensure that the product complies with on-site static loading requirements. For roof-mounted systems, the roof load-bearing capacity must always be checked.
- ▶ National and local building regulations and environmental requirements must be adhered to.
- ▶ Compliance with health and safety regulations, accident prevention guidelines and applicable standards is required.
 - Protective equipment such as safety helmet, boots and gloves must be worn.
 - Roofing works must be in accordance with roofing regulations utilising fall protection safeguards when eaves height exceeds 3 m.
 - At least two people must be present for the duration of the installation work in order to provide rapid assistance in the event of an emergency.
- ▶ K2 mounting systems are continuously developed and improved and the installation process may thereby change at any time. Prior to installation consult our website at www.k2-systems.com/en/technical-information for up-to-date instructions. We can send you the latest version on request.
- ▶ The assembly instructions of the module manufacturer must be adhered to.
- ▶ Equipotential bonding/grounding/earthing between individual parts is to be performed according to country specific standards, as well as national laws and regulations.
- ▶ At least one copy of the assembly instructions should be available on site throughout the duration of the installation.
- ▶ Failure to adhere to our general safety and assembly instructions and not using all system components, K2 is not liable for any resulting defects or damages. We do not accept liability for any damage resulting in the use of competitor's parts. Warranty is excluded in such cases.
- ▶ German law and all the applicable local country laws shall apply excluding the UN Convention on CISG. Place of venue is Stuttgart. Our General Terms of Business apply.
- ▶ If all safety instructions are adhered to and the system is correctly installed, there is a product warranty entitlement of 12 years! We strongly recommend reviewing our terms of guarantee, which can be viewed at www.k2-systems.com/en/technical-information We will also send this information on request.
- ▶ Dismantling of the system is performed in reverse order to the assembly.
- ▶ K2 stainless steel components are available in different corrosion resistance classes. Each structure or component must be carefully checked for possible corrosion exposure.

The following guidelines apply

The MultiRail system can be installed as standard under the following conditions. Even if the system is capable of meeting higher demands through the integration of safety standards, please get in touch with your contact at K2 Systems if the specified values are exceeded.



Planning with K2 Base

We recommend our free online software K2 Base for the planning. In five steps, you can plan the right assembly system and get a construction recommendation, parts list and the structural analysis report. Simply register and start planning: base.k2-systems.com



Structural requirements

The static verification of the component is automatically calculated with the K2 Base planning software for the respective location. The design provided in a project report must be followed.



Roof requirements

- ▶ The sufficient holding force of the roof covering at the support or substructure must be ensured on site.
- ▶ Roof pitch: 5 - 75°
- ▶ Thickness Trimdek (trapezoidal metal sheet):
≥ 0.4 mm steel or ≥ 0.5 mm aluminium
- ▶ Sheet quality steel at least S235 acc.
DIN EN 10025-1
- ▶ Minimum tensile strength for aluminium
165 N/mm²
- ▶ High crest distance ≥ 22 mm, flush area surrounding the bore hole: ≥ 20 mm
- ▶ High bead radius for corrugated sheet metal:
r = 22 - 45 mm

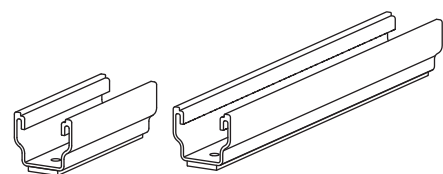
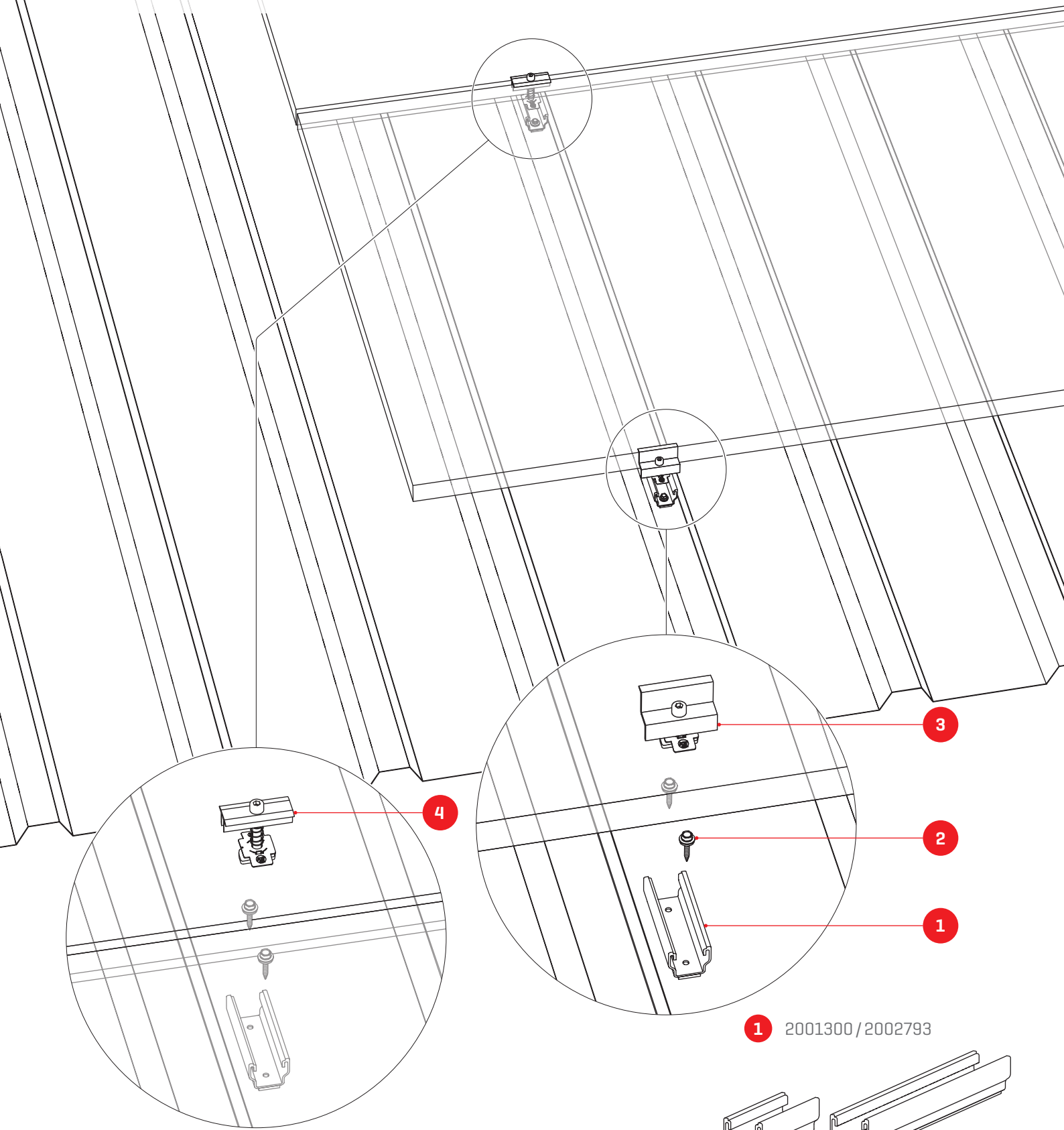


Important mounting instructions

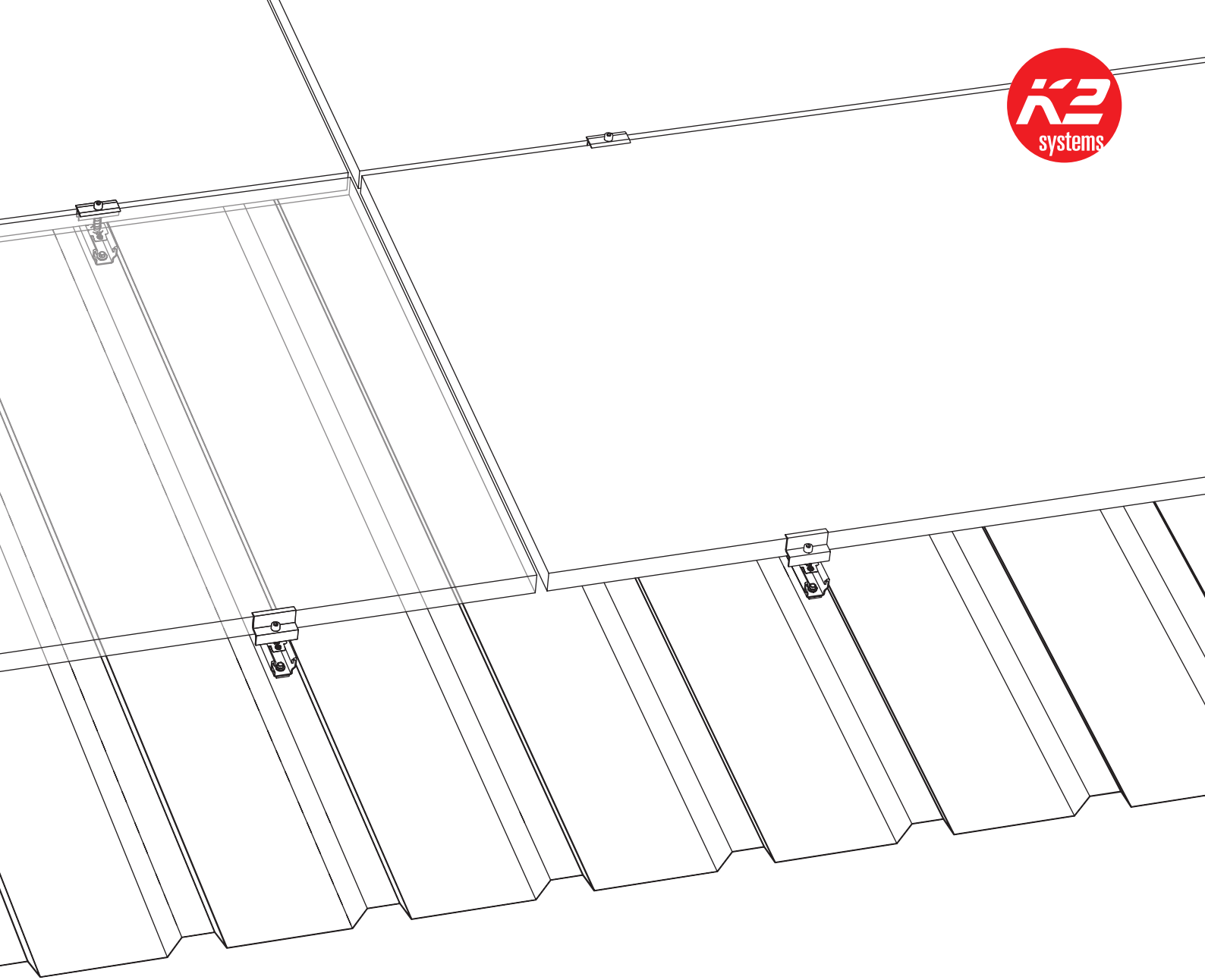
- ▶ On-site general standards and regulations for lightning protection must be observed and consultation with a specialist to create a lightning protection concept is recommended (use lightning protection clamp if necessary). Country-specific regulations must be observed.
- ▶ After 13.60 m (length of the module row in the vertical crest direction) a thermal separation must be installed.
For this purpose, two rails must be fixed one behind the other on the same high crest. The distance between the MultiRails must be at least 30 mm.
- ▶ If the trapezoidal sheet is fastened with storm washers, please do not fasten the MultiRails on the storm washers! Spacing must be measured beforehand.
- ▶ Fasten the MultiRails to corrugated or trimdek metal sheet with thin sheet metal screws approved by the building authorities.
- ▶ Horizontal distance (verge-to-verge direction) between the short sides of the modules must be at least 20 mm

Components

Trimdek metal sheet



MultiRail 10 / 25

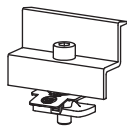


2 1005207



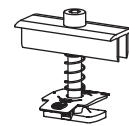
Self-drilling screw with sealing washer

3 Item number project specific!



Module End Clamp Standard

4 Item number project specific!

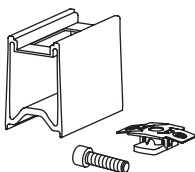


Module middle clamps XS

Optional components

See page 19 + 20!

2003191



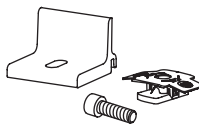
RailUp Set

2001881



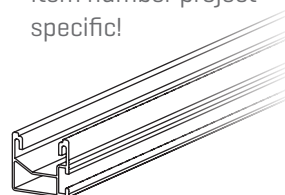
TerraGrif K2SZ

2003145



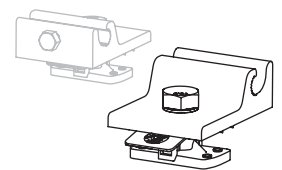
SingleRail Climber 36/50 Set

Item number project specific!



SingleRail 36

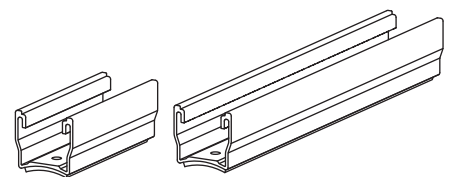
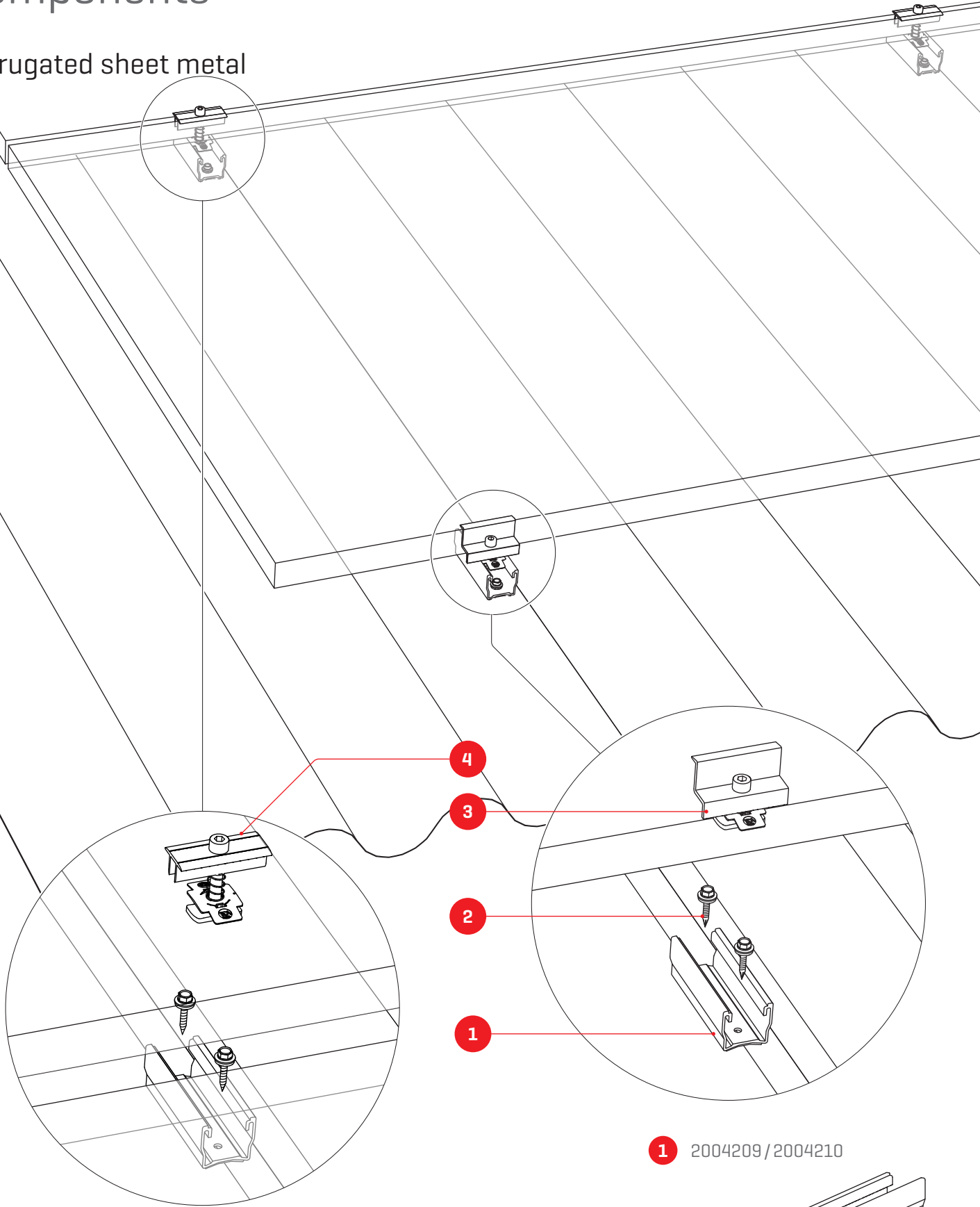
4000006-H



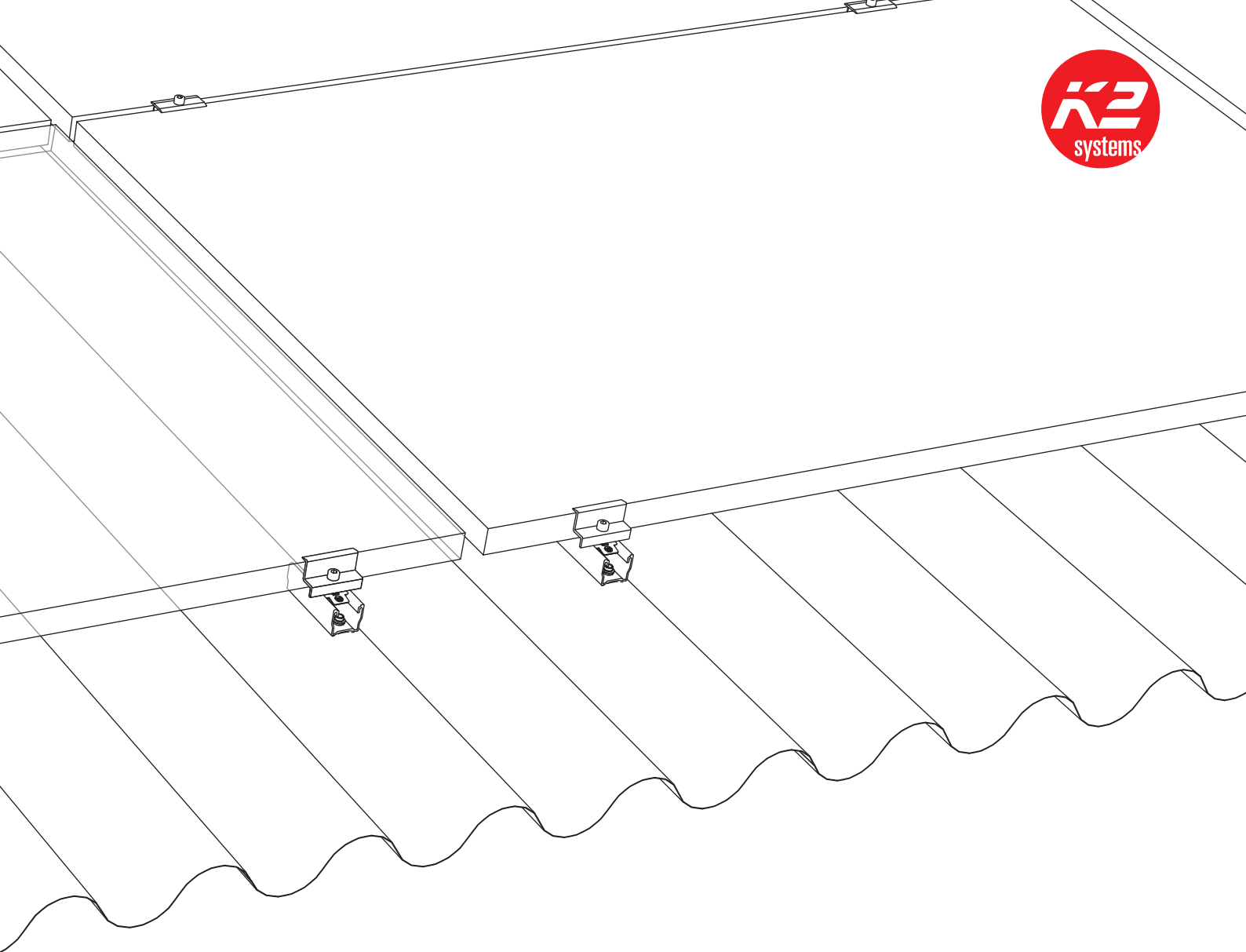
Ground Lug, 13 mm hex

Components

Corrugated sheet metal



MultiRail 10 / 25 CSM

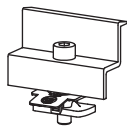


2 1005207



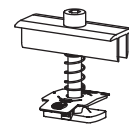
Self-drilling screw with sealing washer

3 Item number project specific!



Module End Clamp Standard

4 Item number project specific!

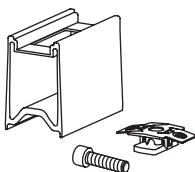


Module middle clamps XS

Optional components

See page 19 + 20!

2003191



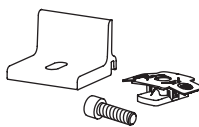
RailUp Set

2001881



TerraGrif K2SZ

2003145



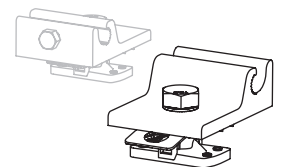
SingleRail Climber 36/50 Set

Item number project specific!



SingleRail 36

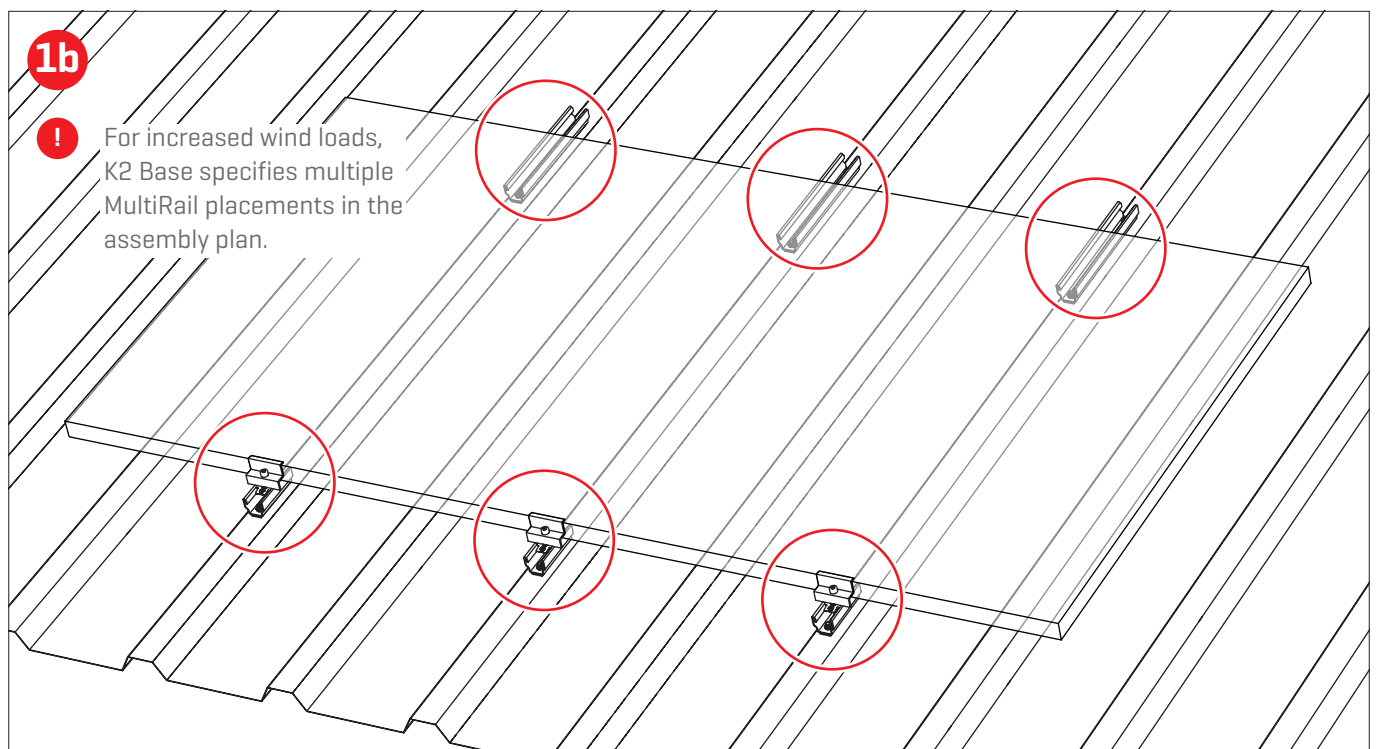
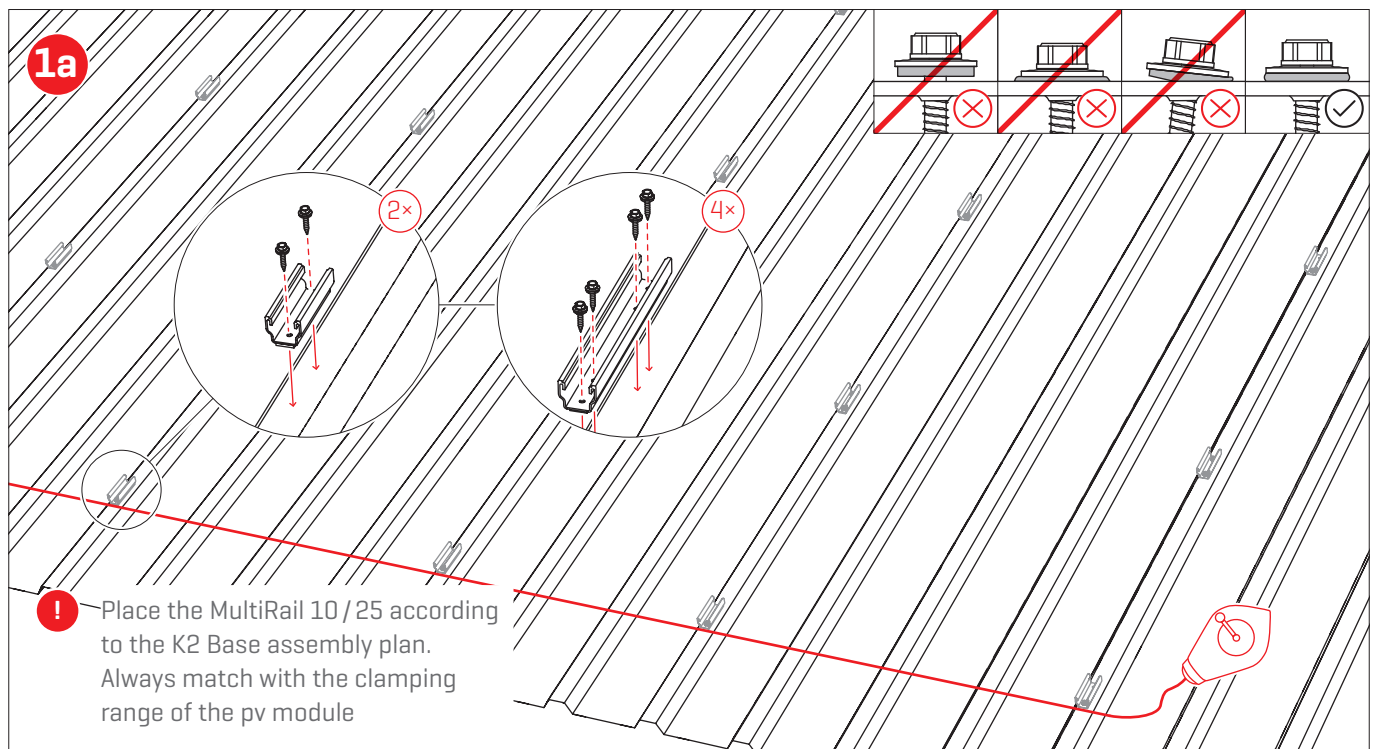
4000006-H

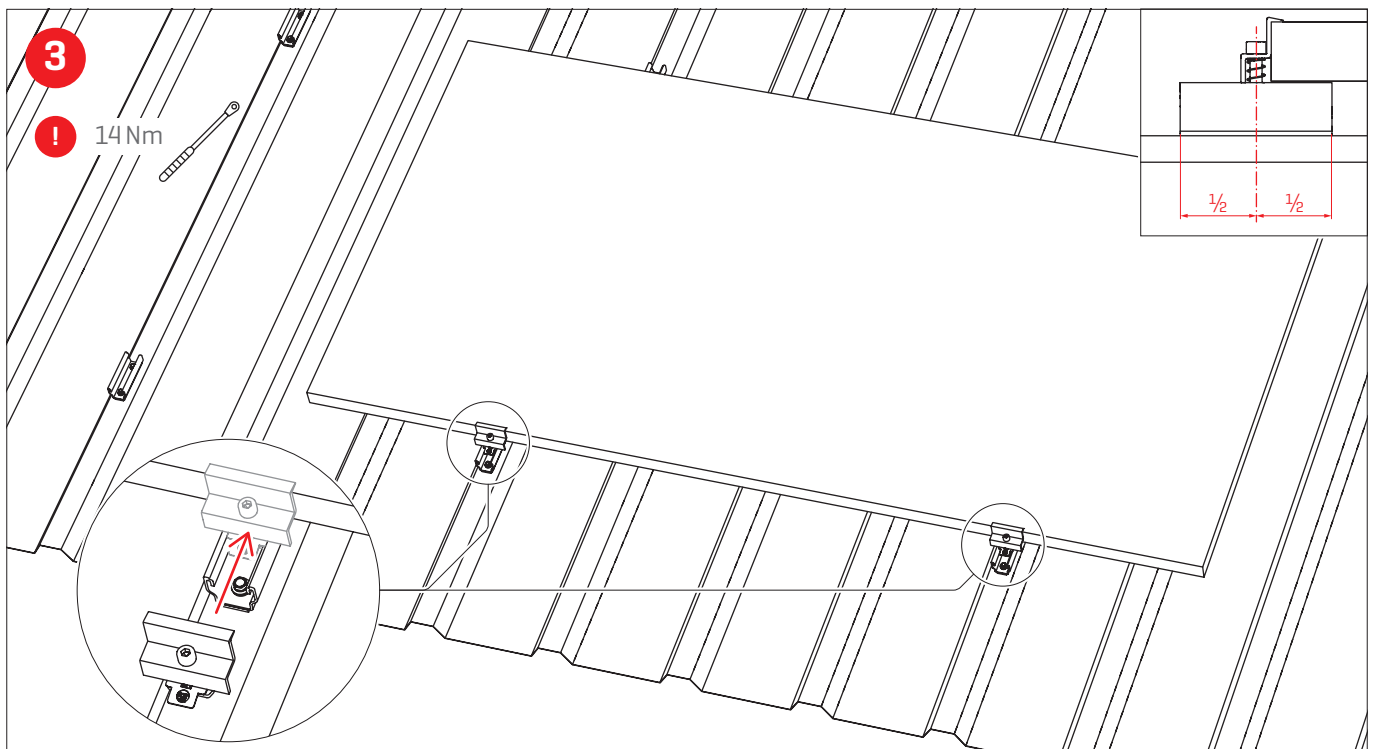
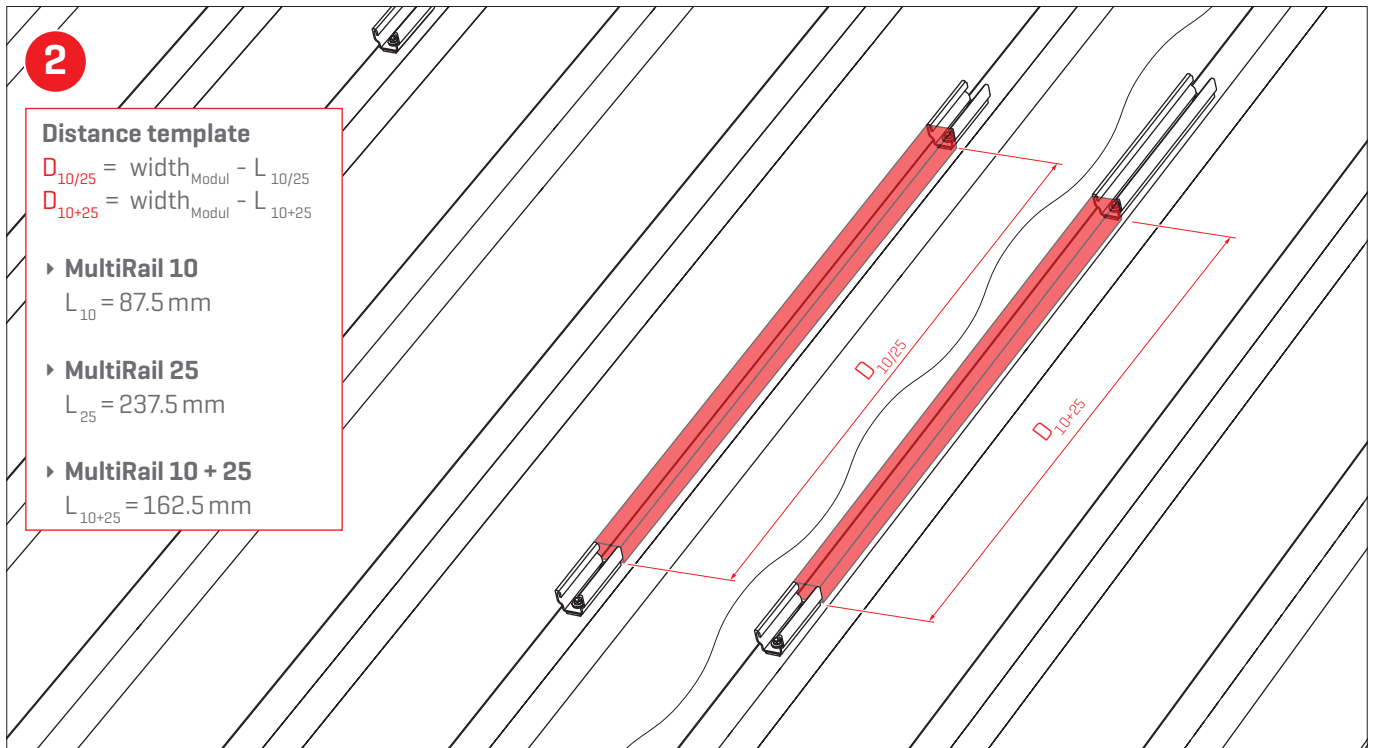


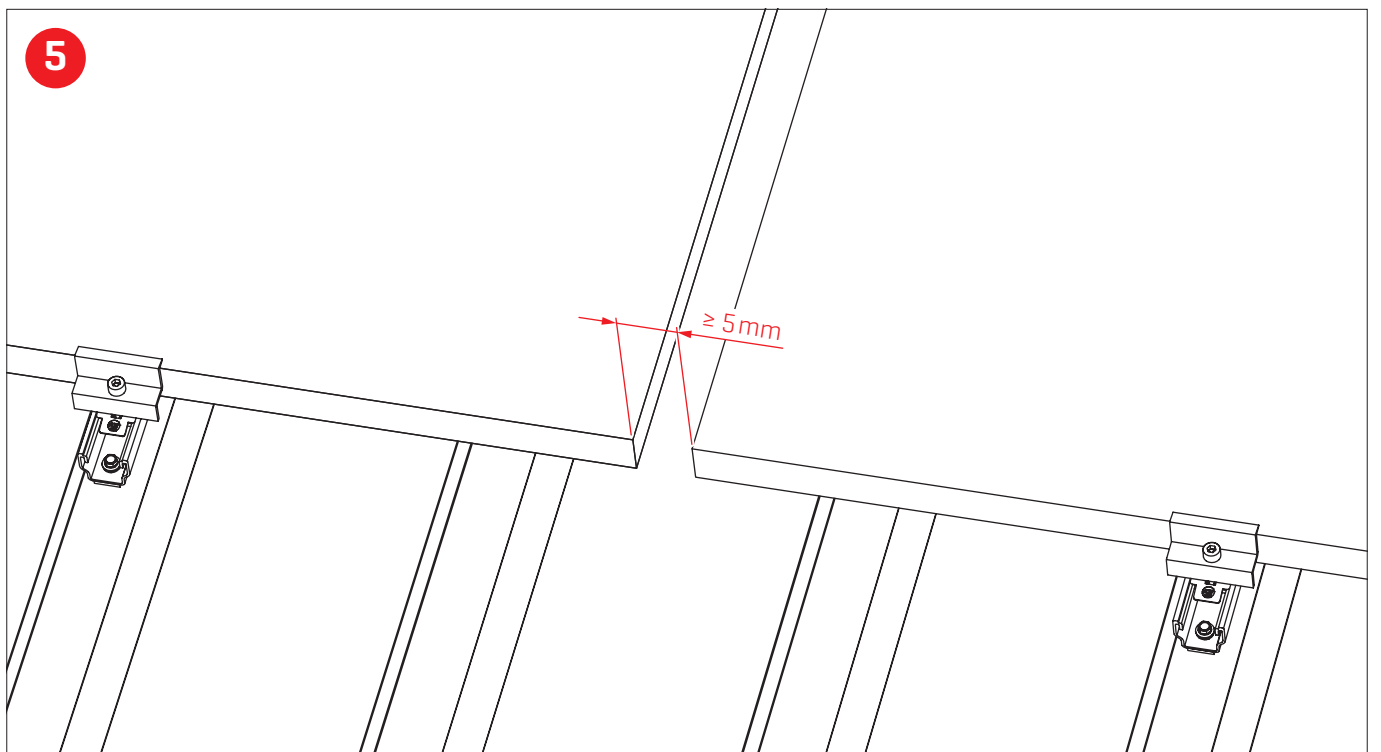
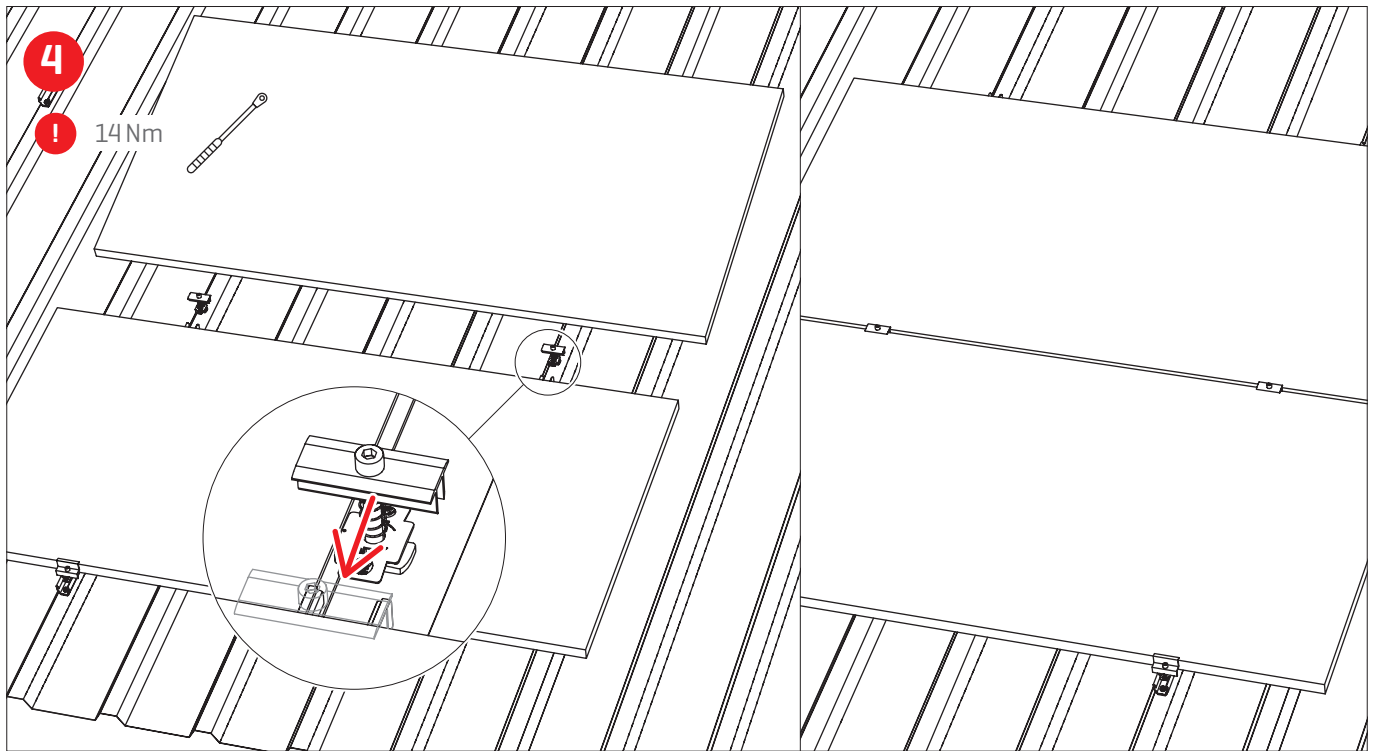
Ground Lug, 13 mm hex

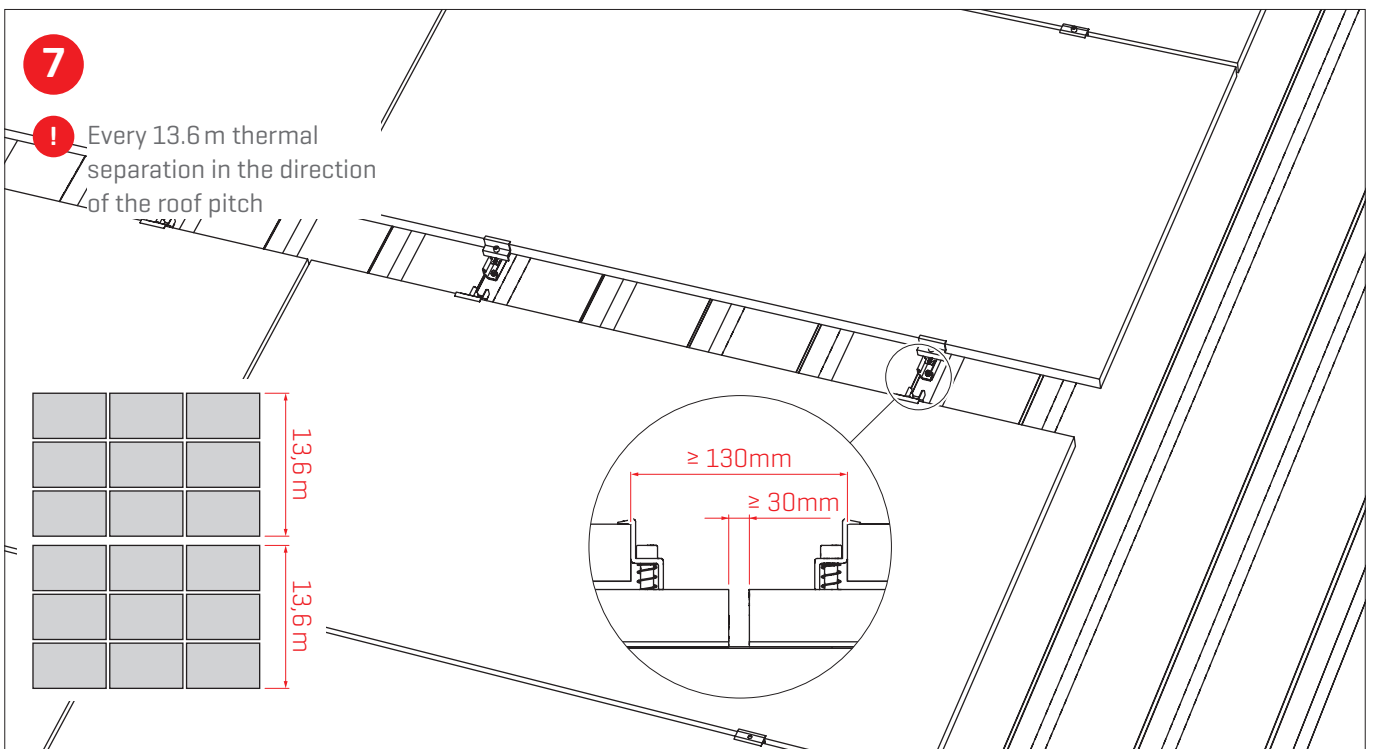
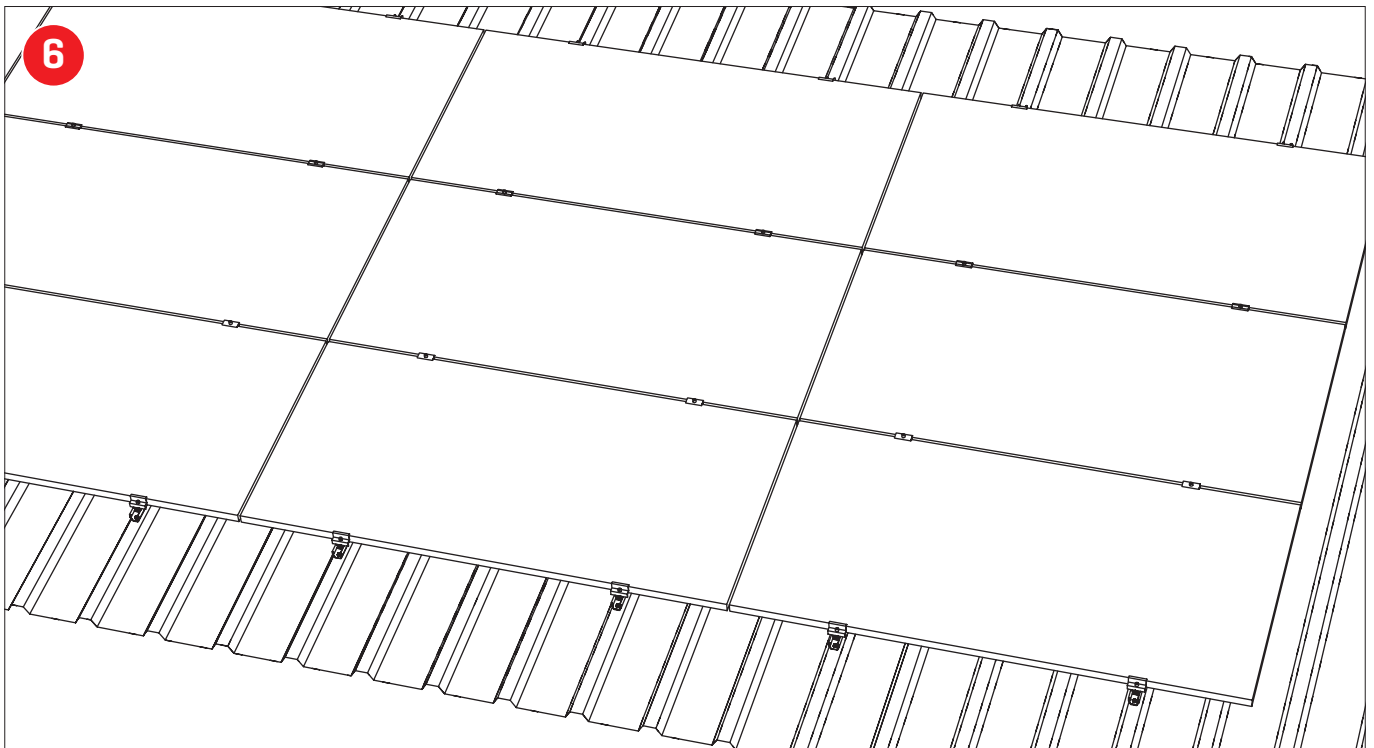
Assembly

Trimdek metal sheet



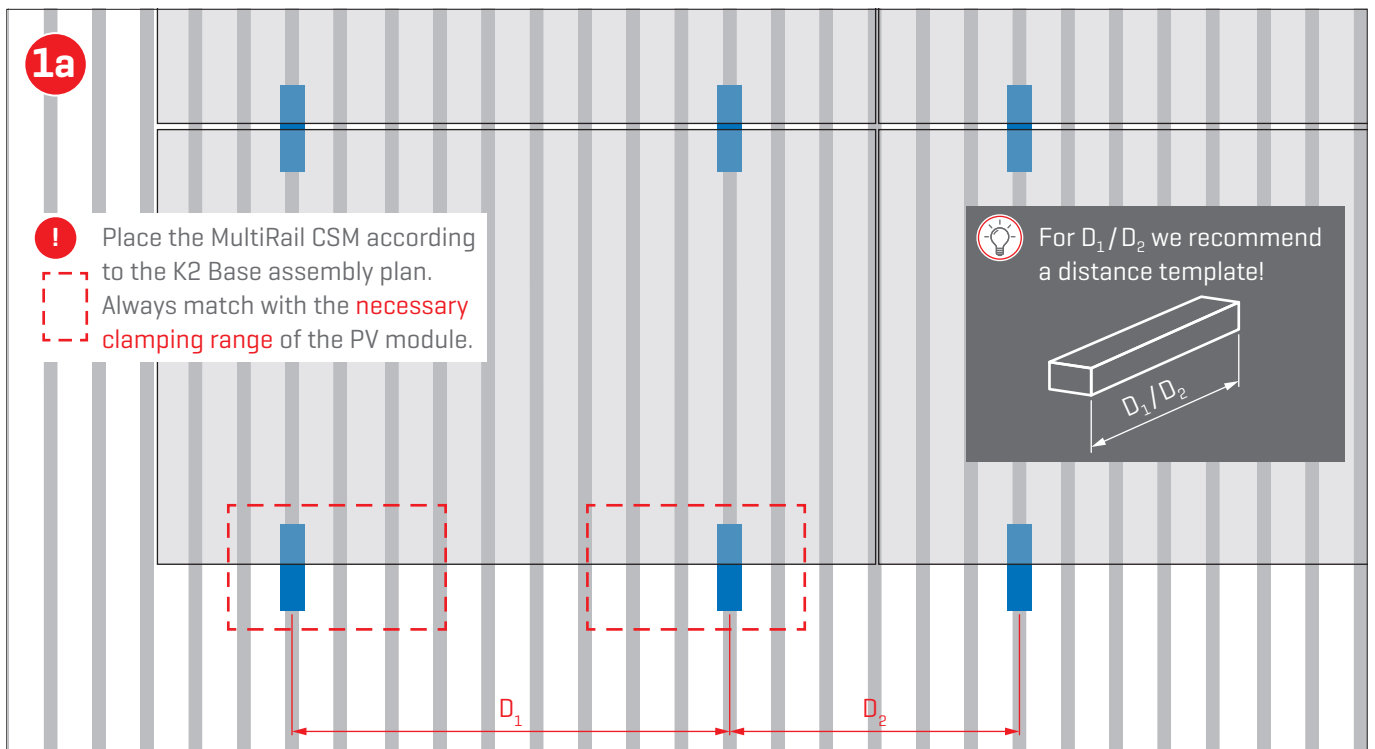
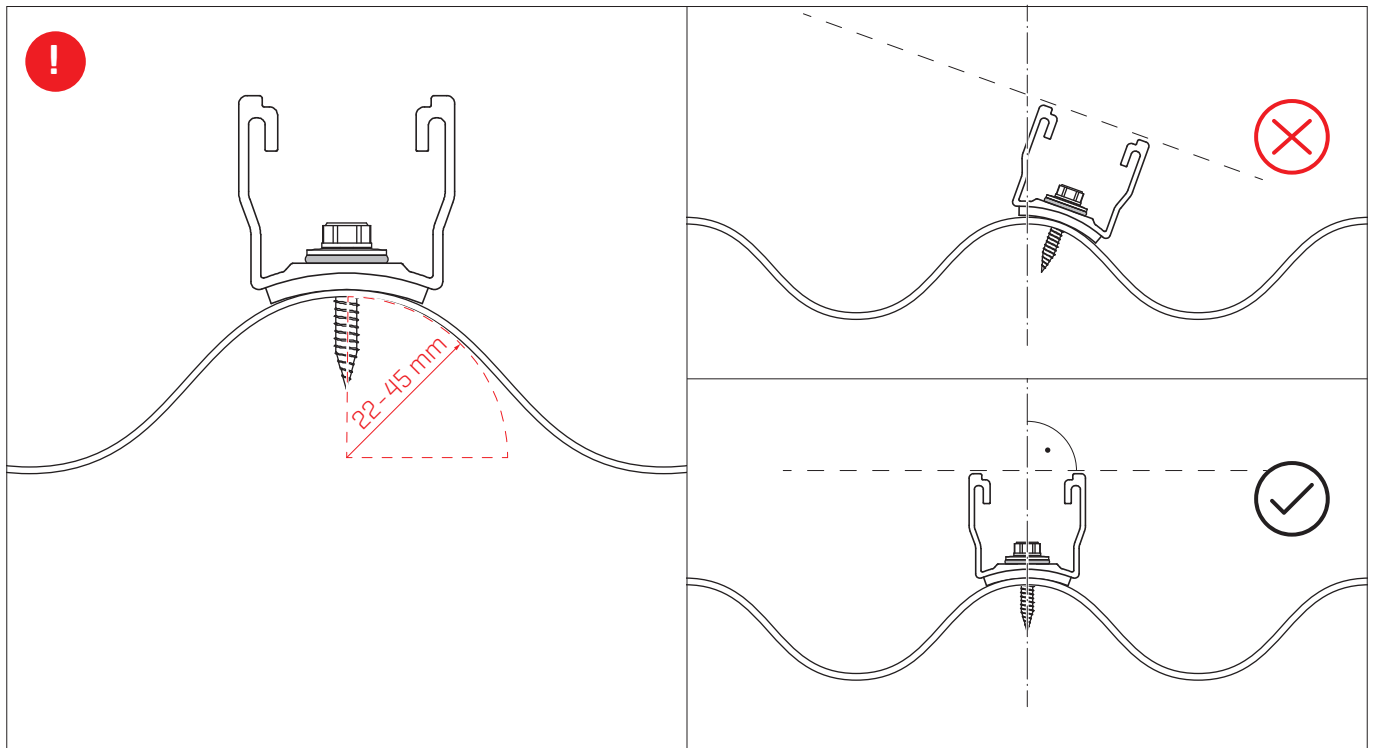


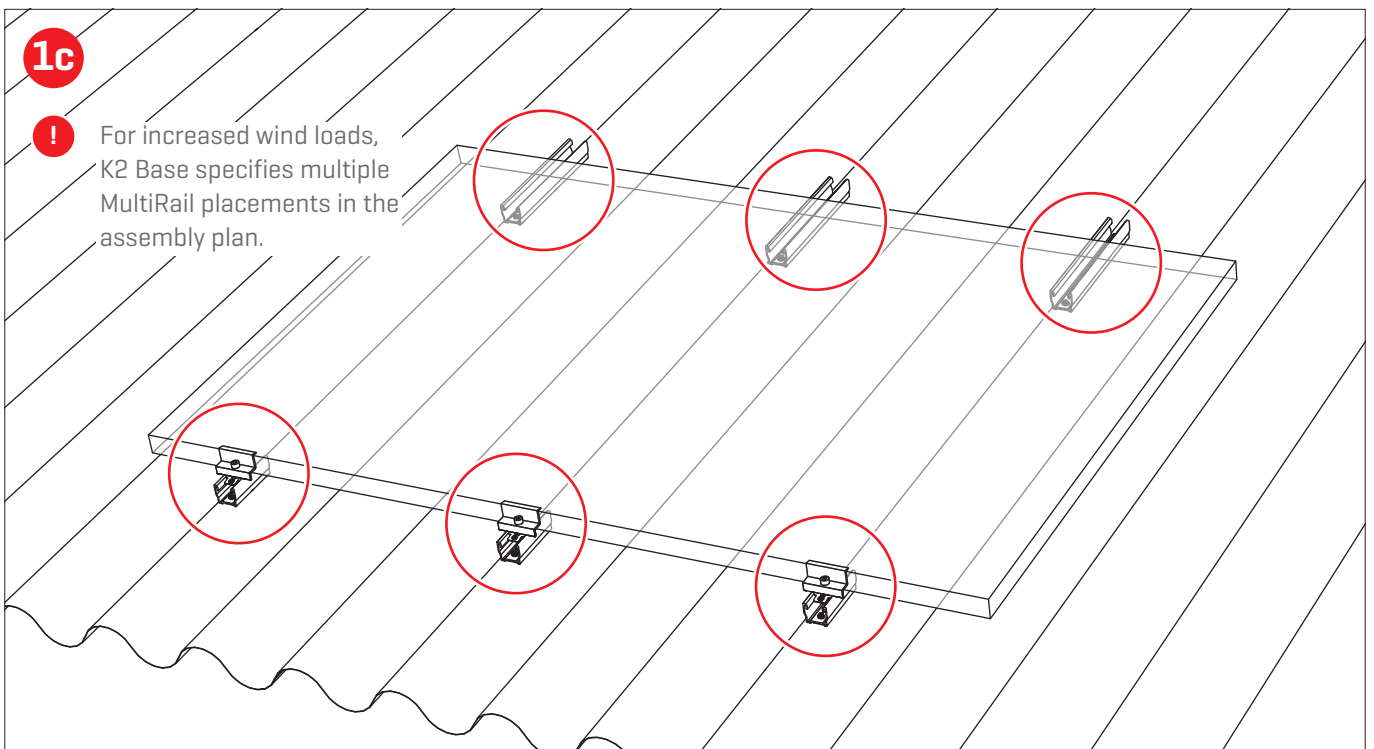
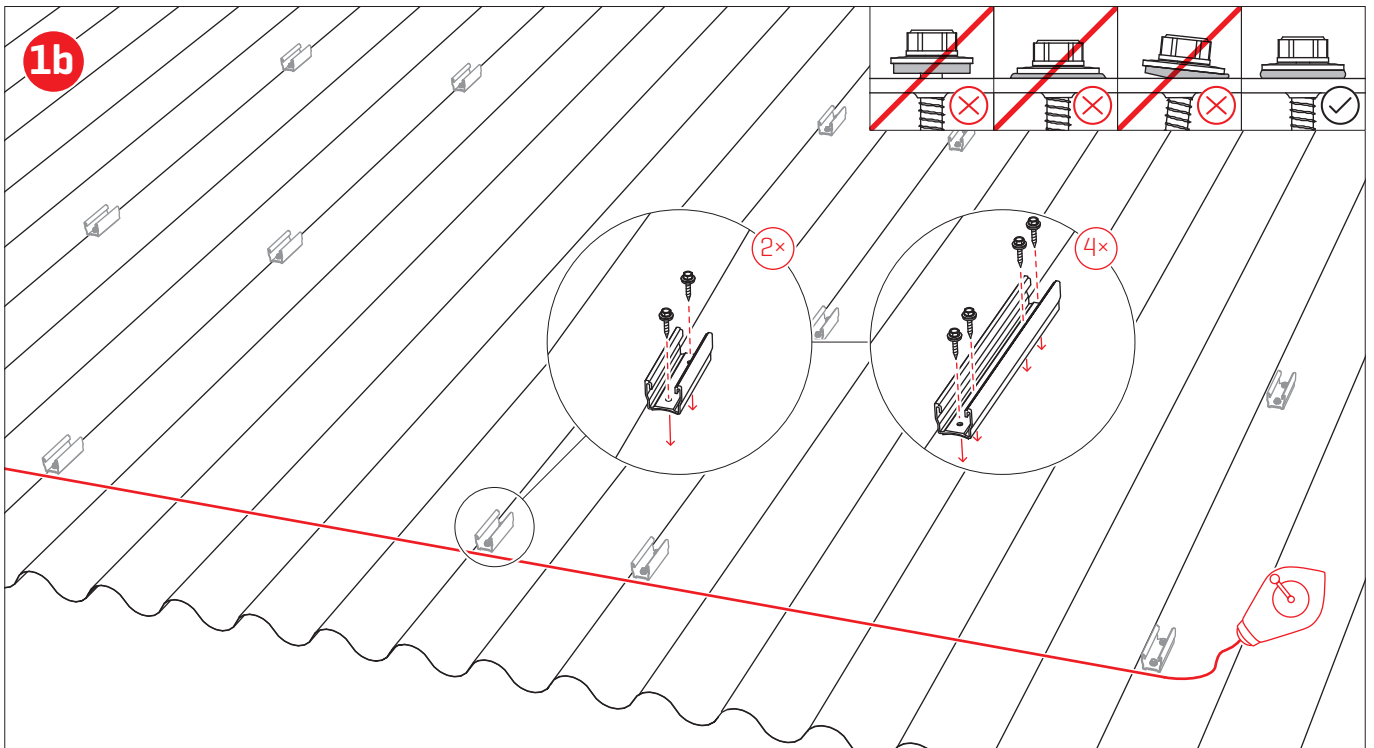


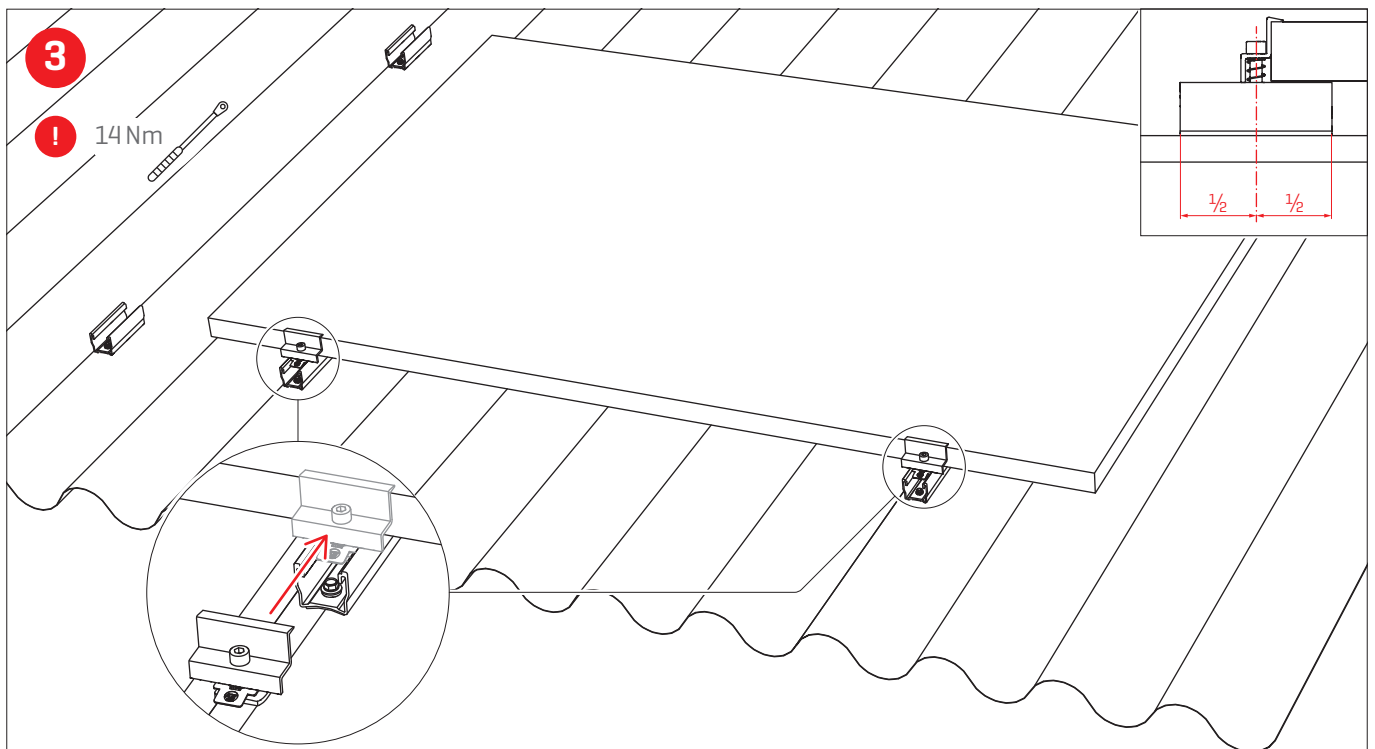
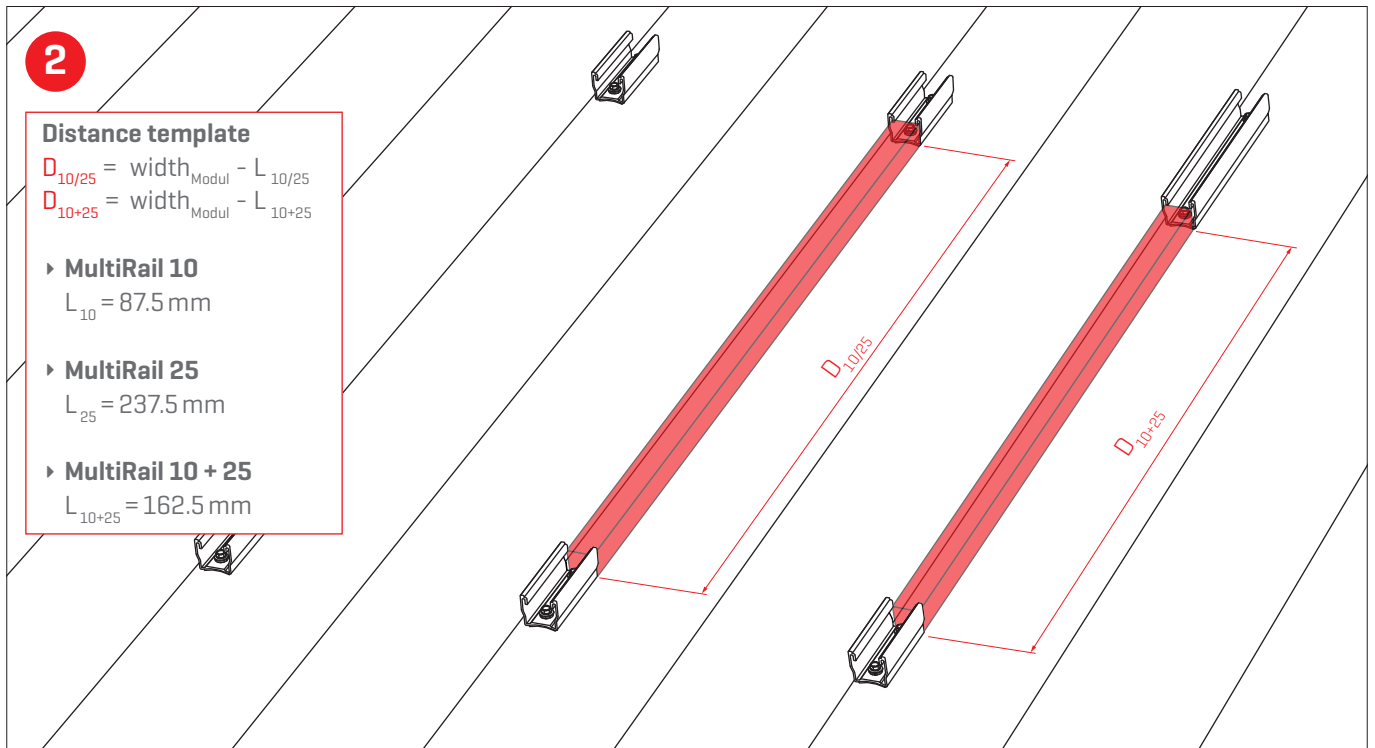


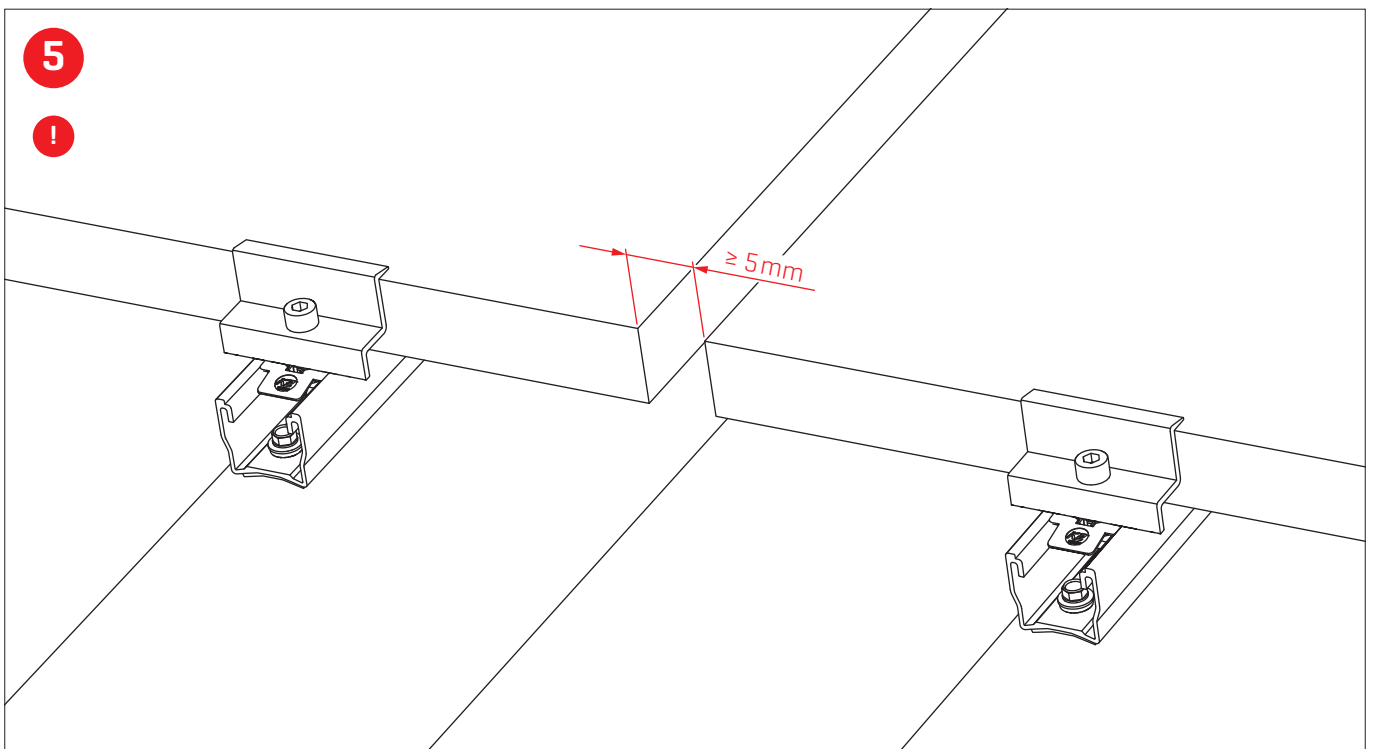
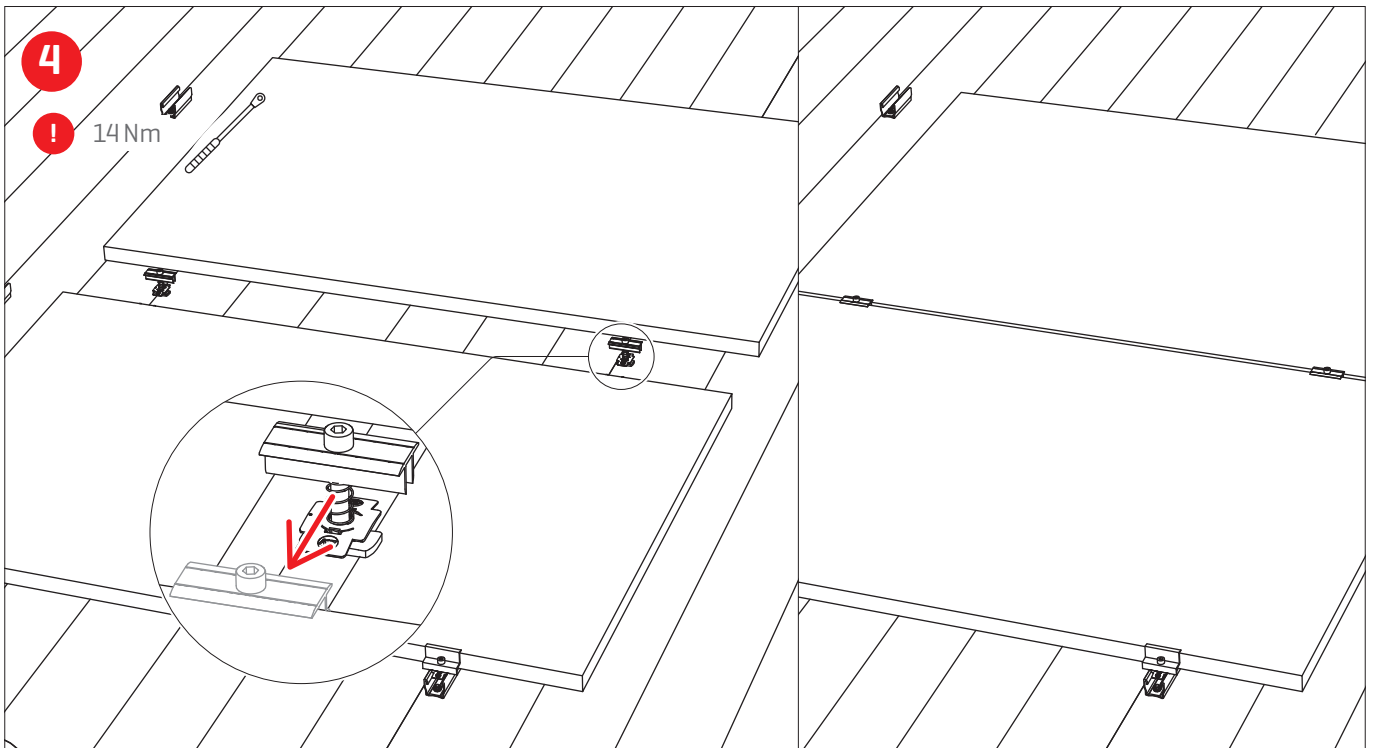
Assembly

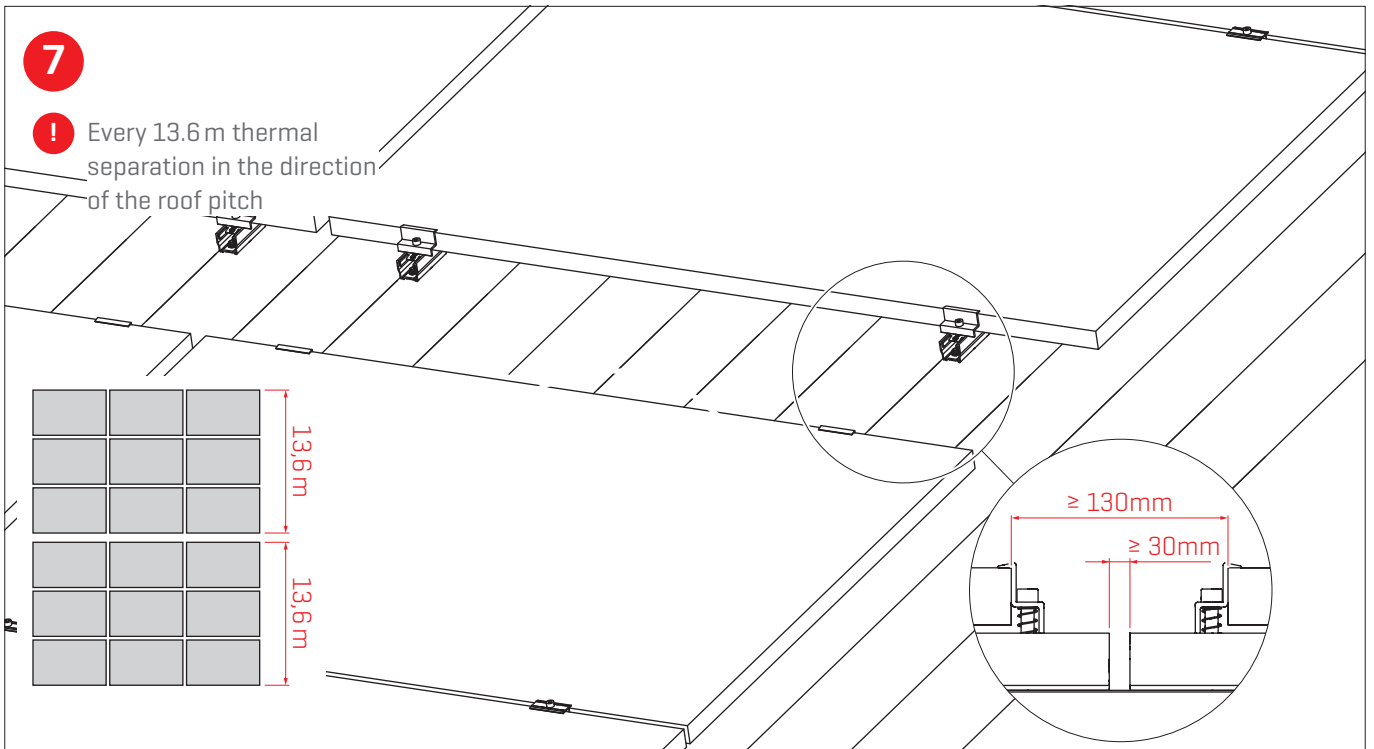
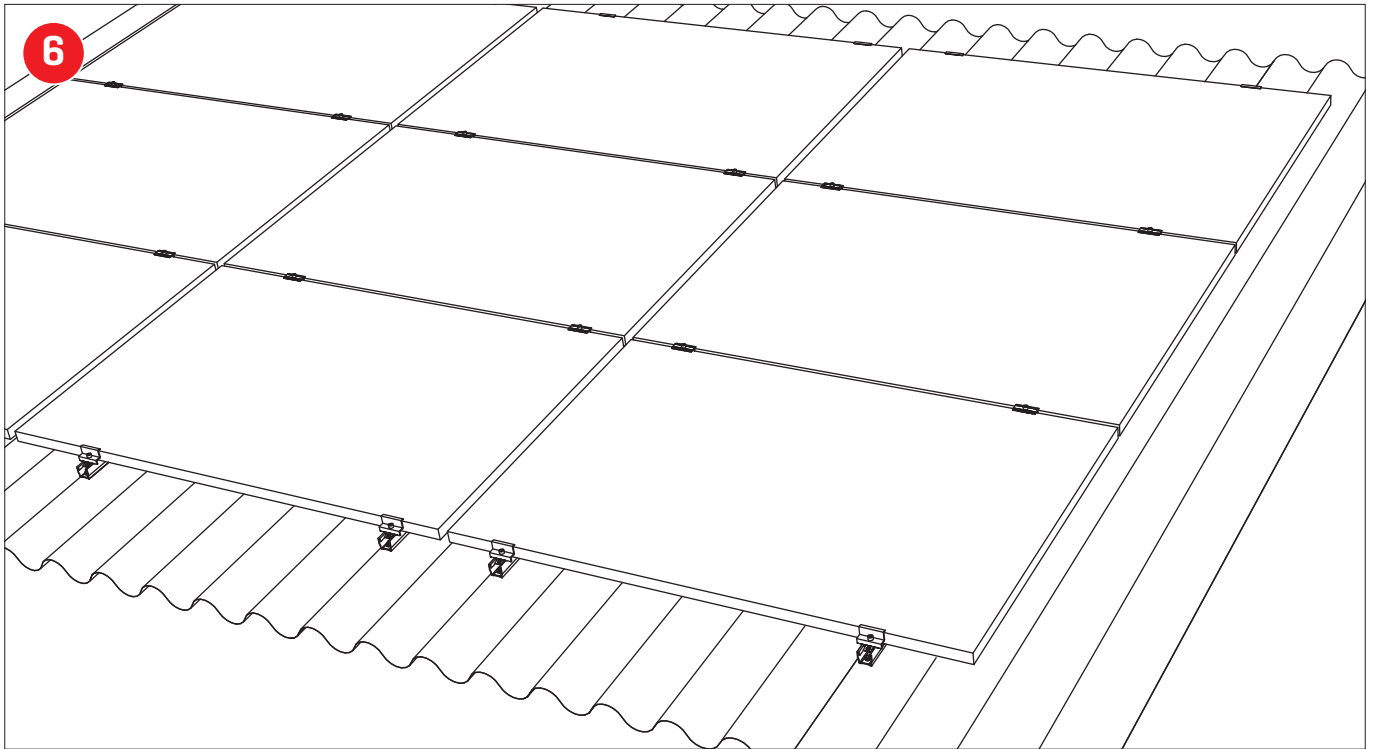
Corrugated sheet metal







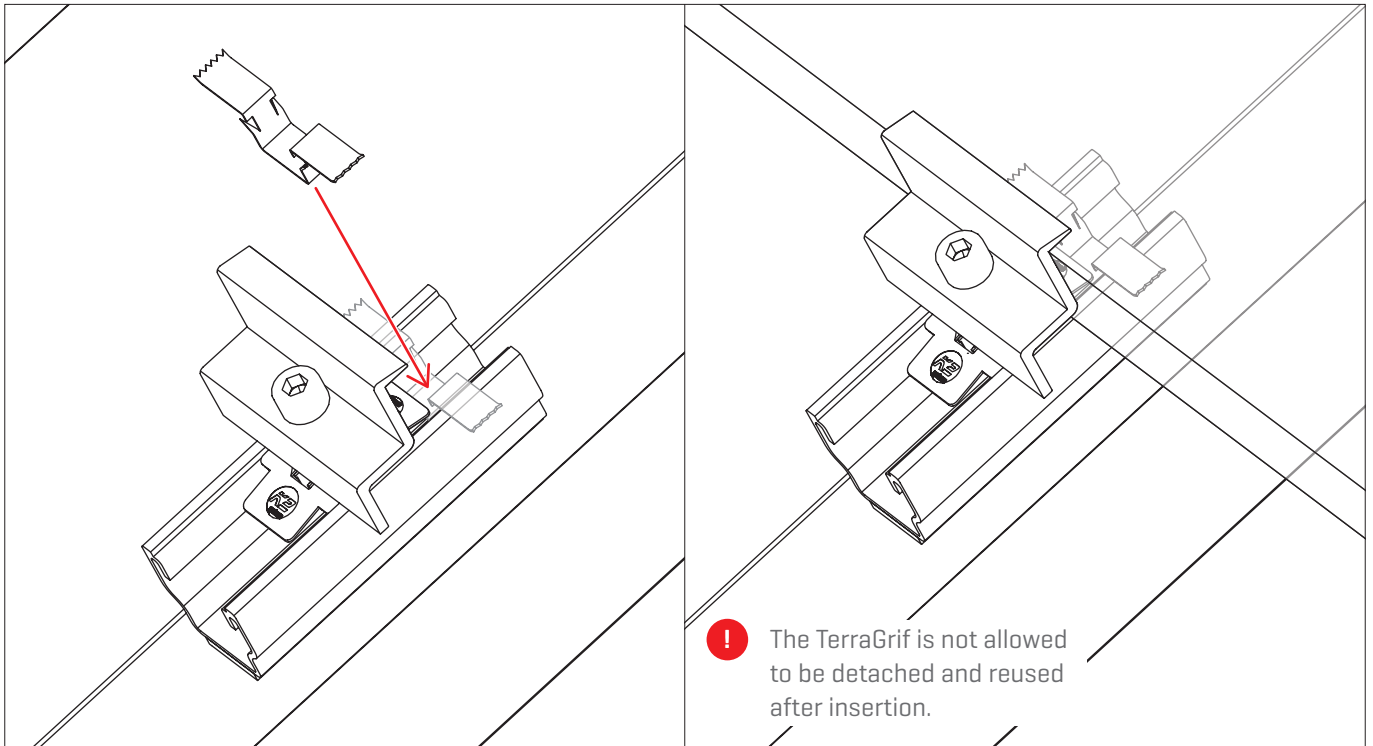




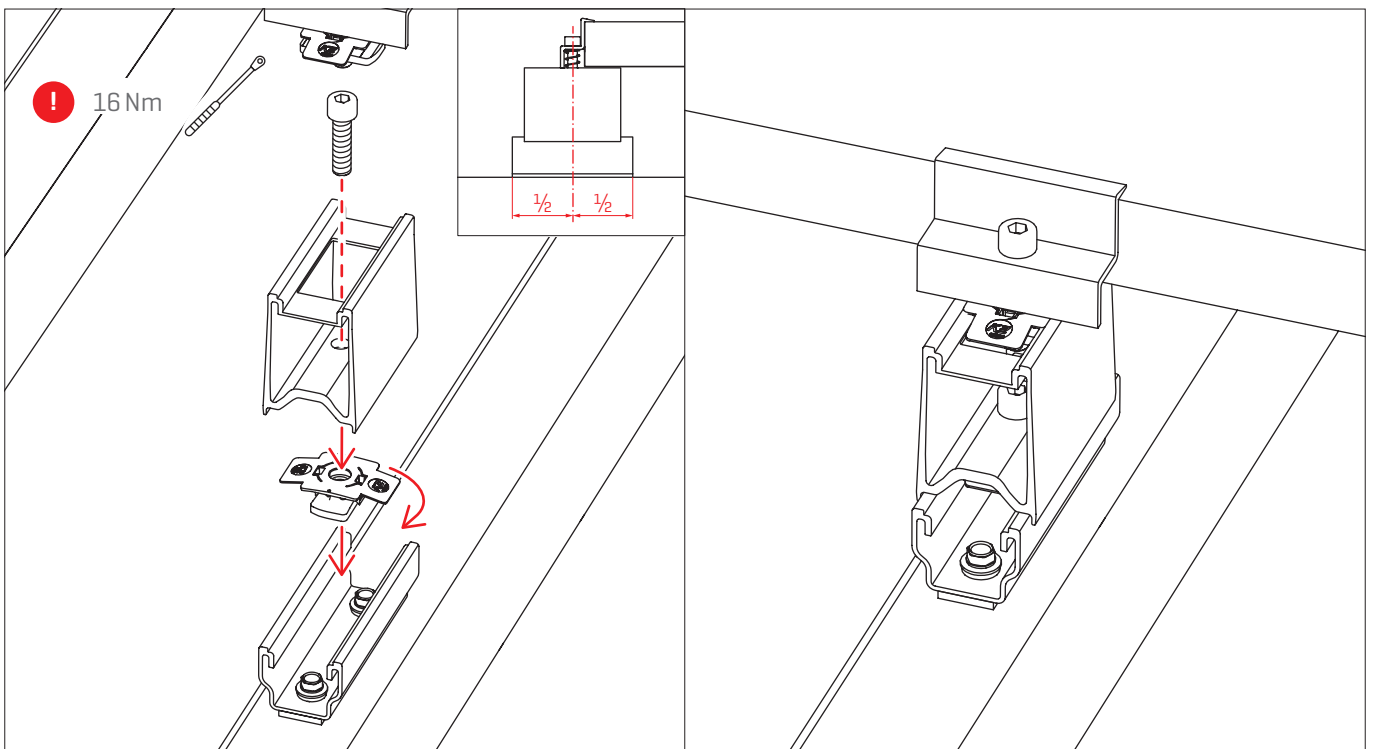
Optional assembly steps



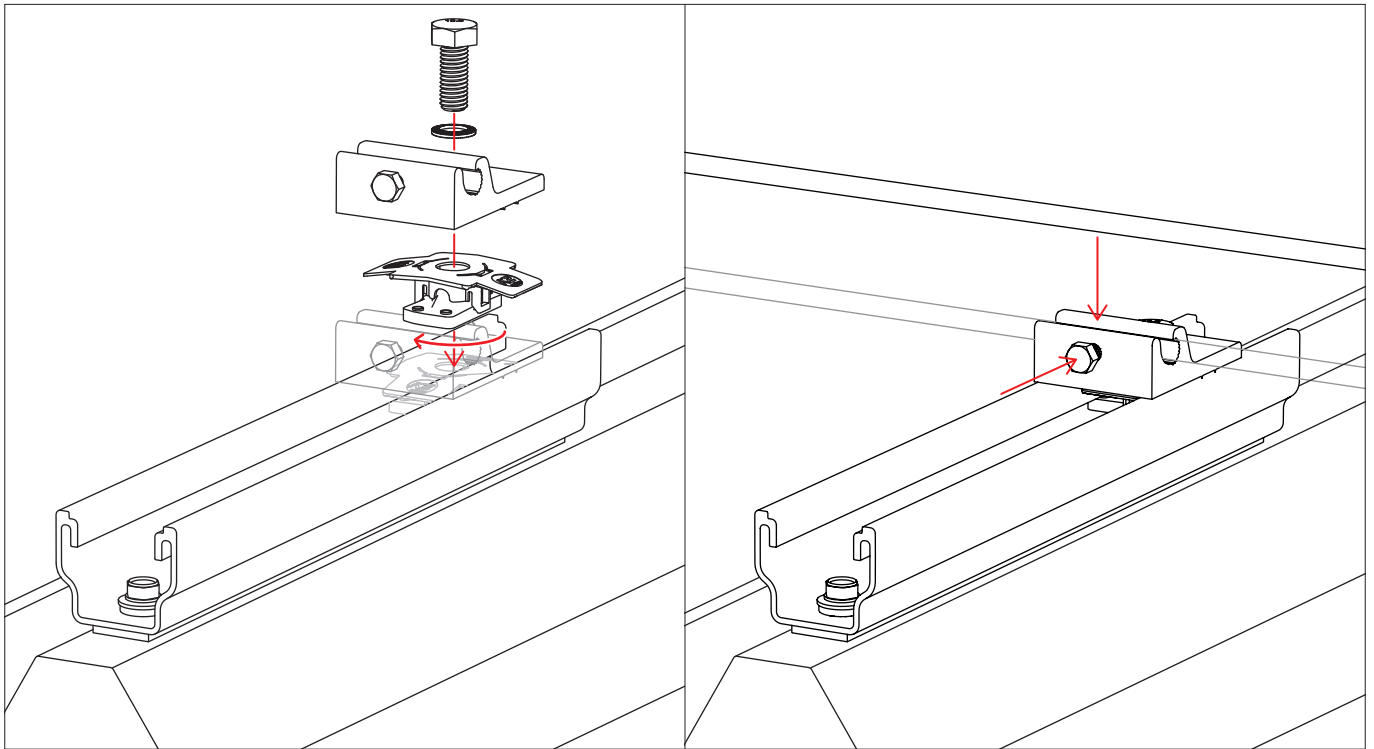
Module frame grounding



Roof-parallel elevation with RailUp



Lightning protection with Ground Lug



Notes





We support PV systems



Thank you for choosing a K2 mounting system.

Systems from K2 Systems are quick and easy to install. We hope these instructions have helped. Please contact us with any questions or suggestions for improvement.

Our contact data:

▶ [k2-systems.com/en-AU/contact](https://www.k2-systems.com/en-AU/contact)

▶ **Service Hotline: +61 1300 527978**

Our General Terms of Business apply. Please refer:
[k2-systems.com](https://www.k2-systems.com)

K2 Systems Pty Limited

ABN: 67 640 799 695

Registered Office

Australia Square, Level 14

264 - 278 George St

Sydney NSW 2000

Australia

+61 1300 527978

info@k2-systems.com.au

www.k2-systems.com/en-AU